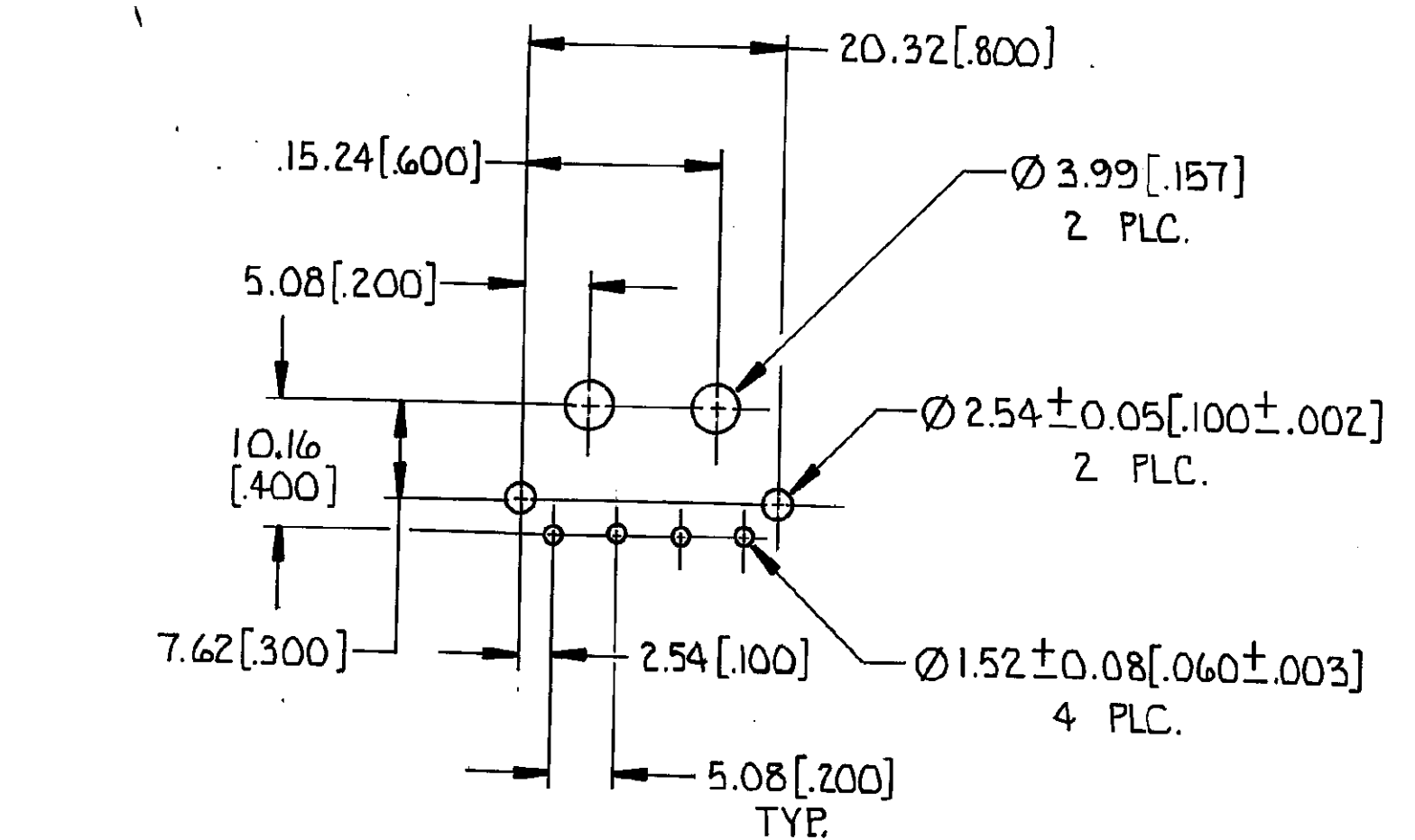
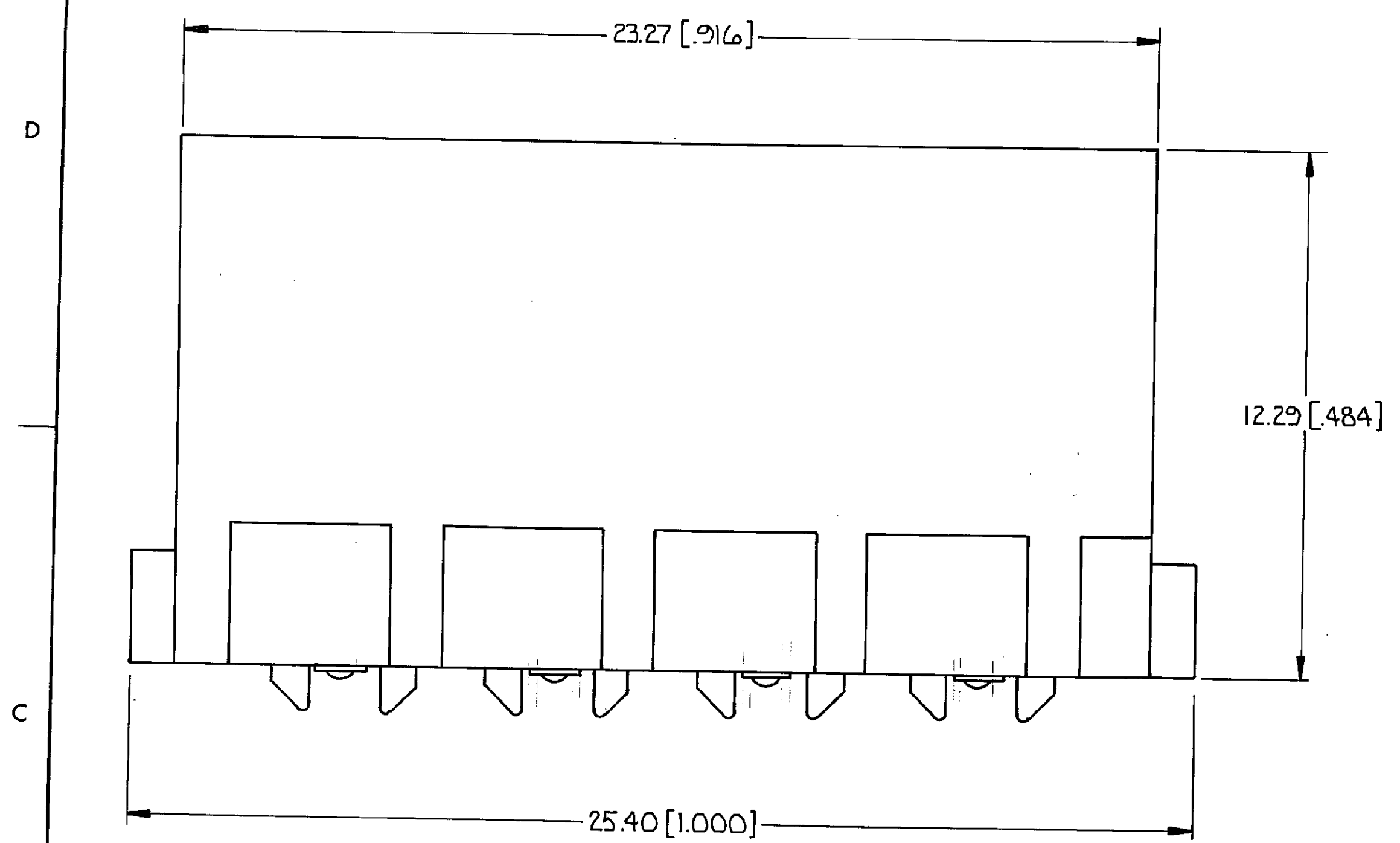
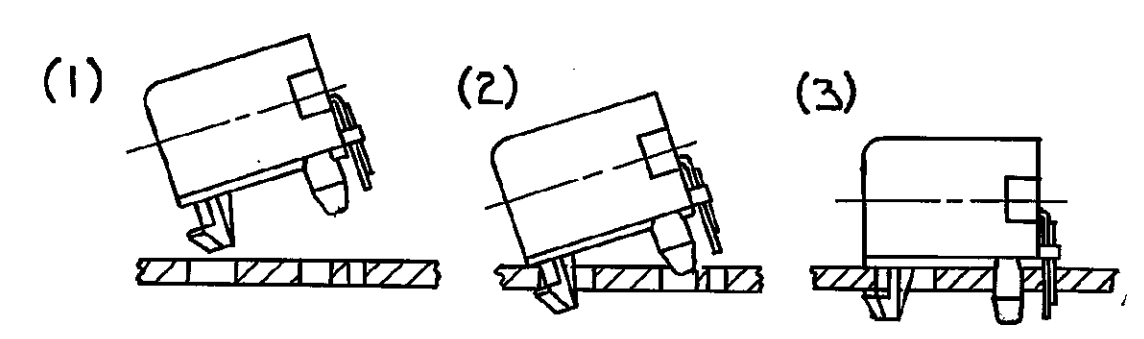
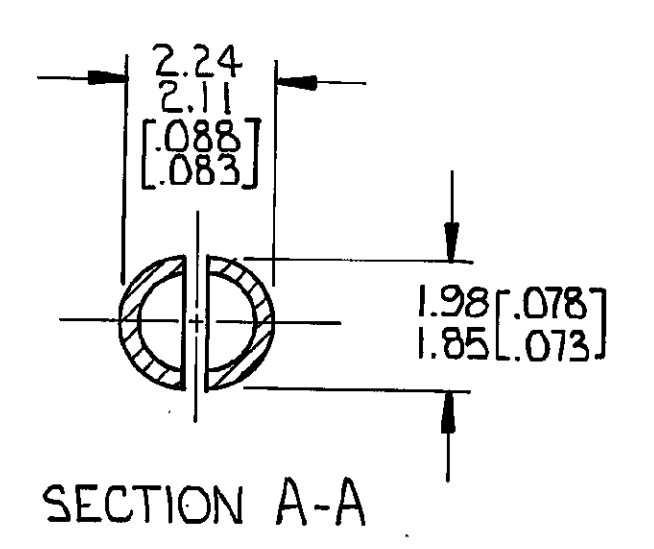
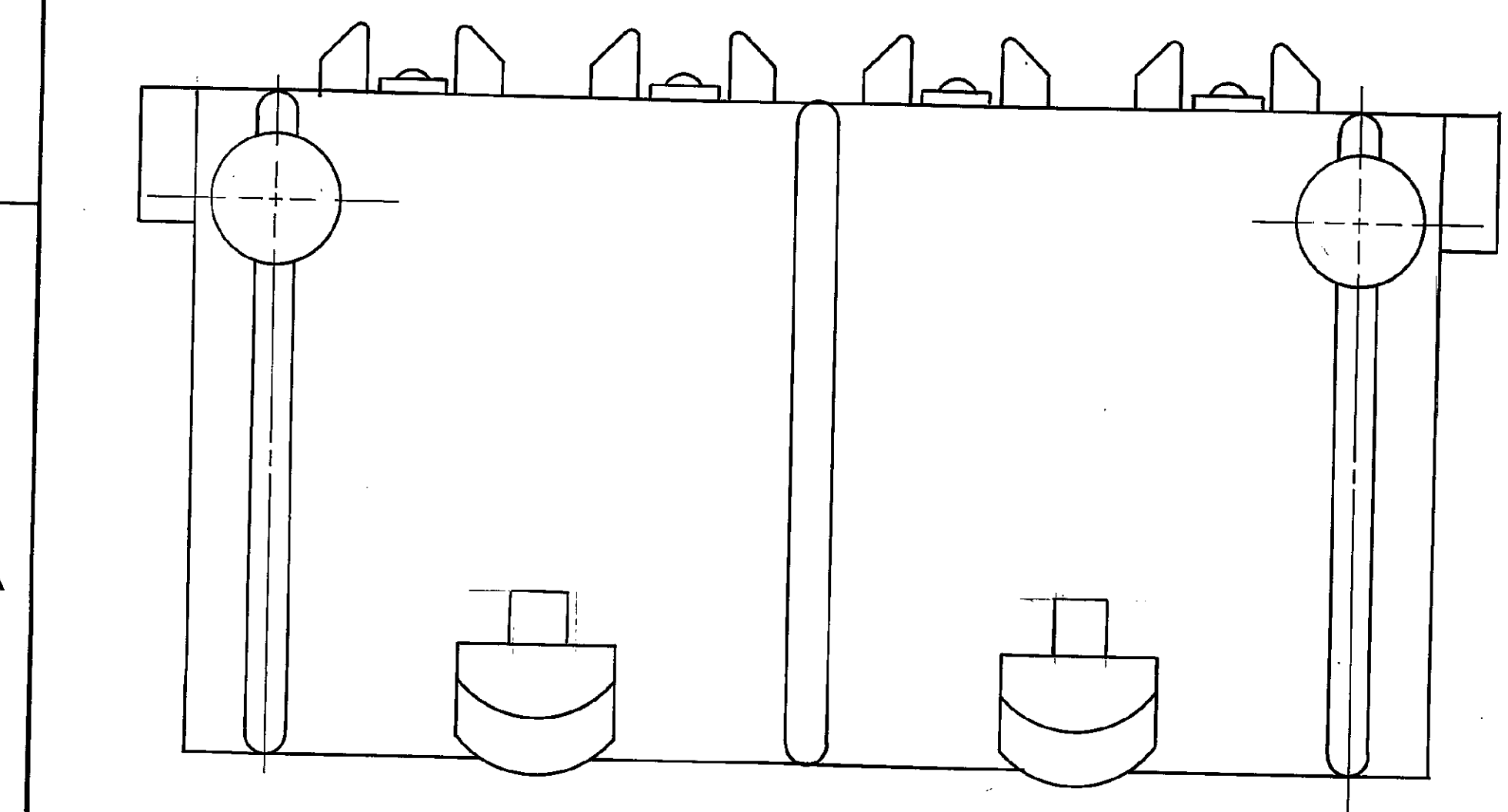
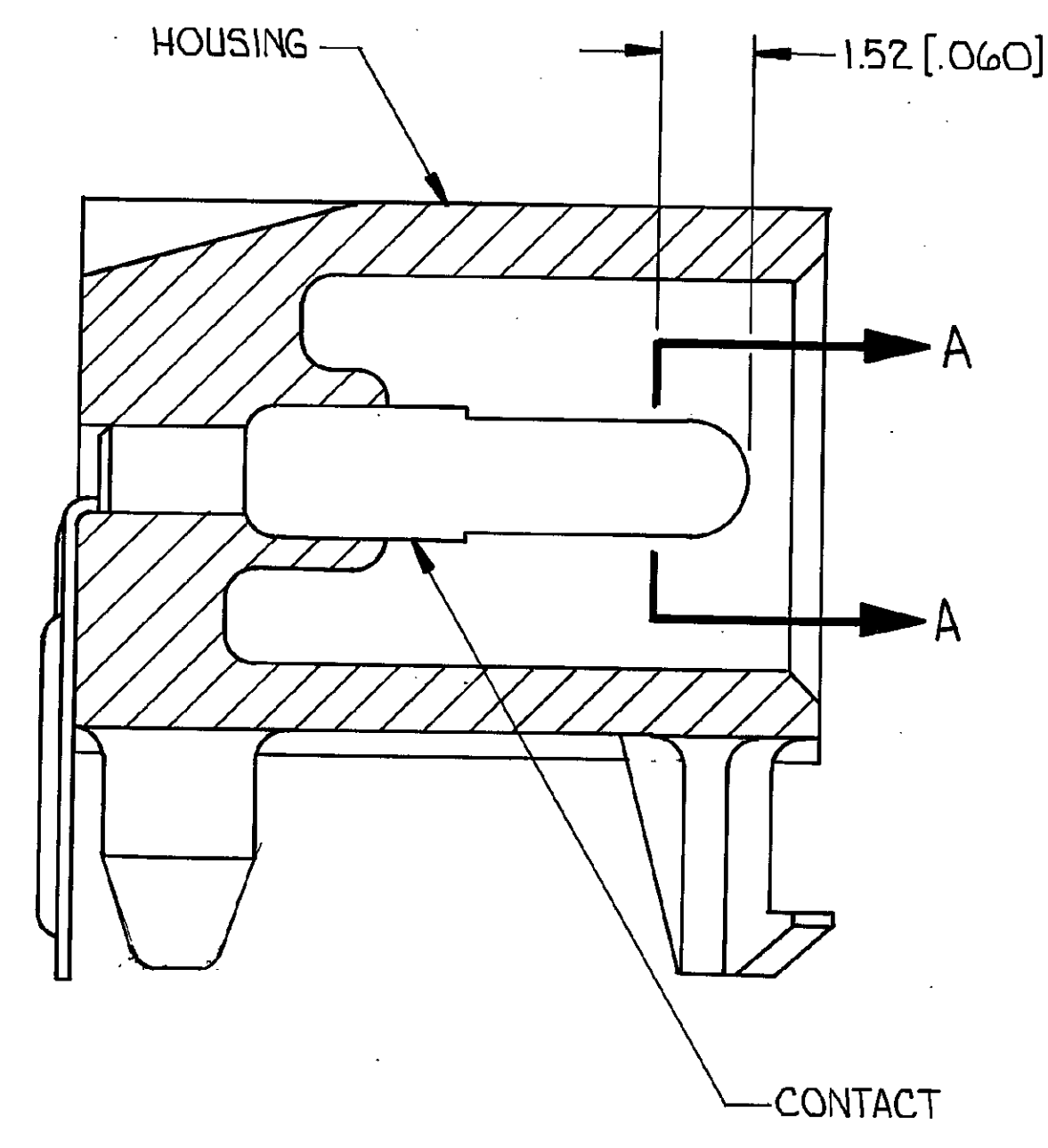
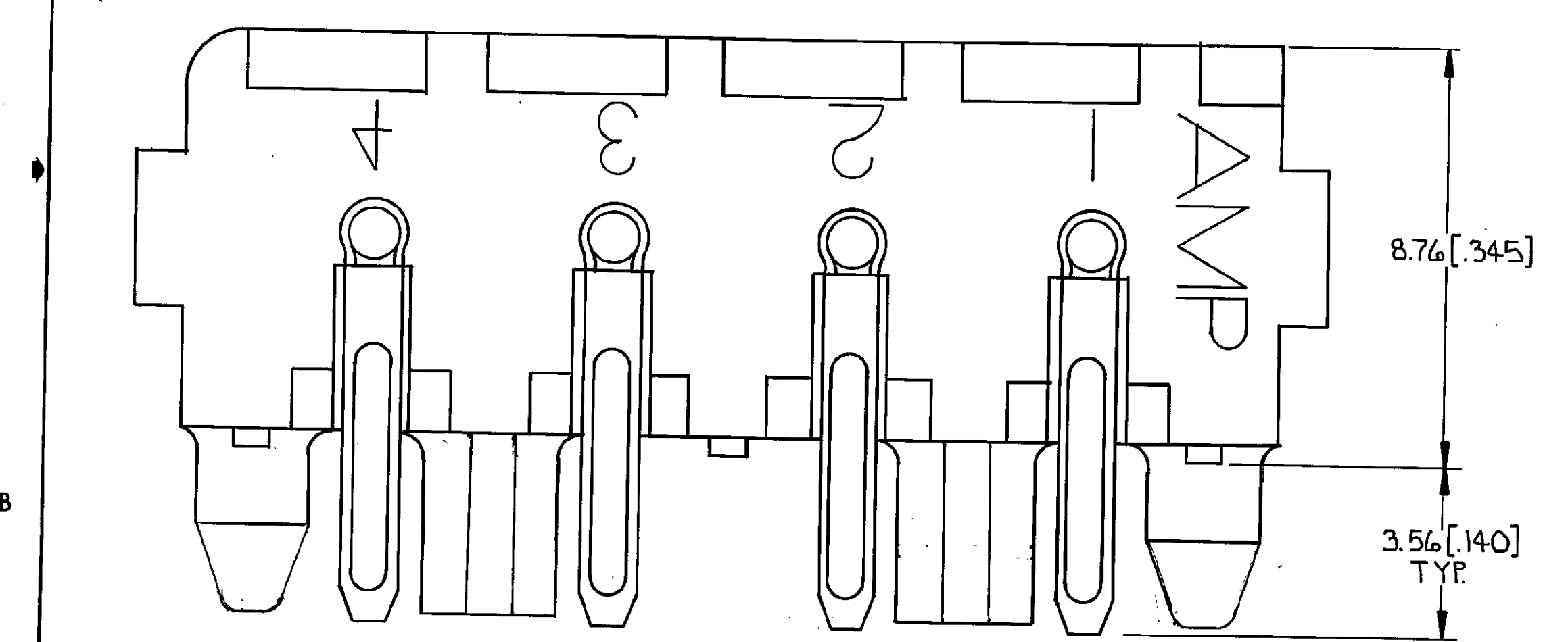


REVISIONS					
REV	ZONE	LTR	DESCRIPTION	DATE	APPROVED
B			REV PER ECOGIB-0220-90	3-4-99	JY R5



RECOMMENDED LAYOUT FOR 1.57 [0.62] THICK P.C. BOARD
 SCALE 2:1

- PARTS COMPLY WITH AMP SOLDERABILITY SPEC. 109-11-3.
- RECOMMENDED EXPOSURE TO SOLDER WAVE (430°F) NOT TO EXCEED 5 SECONDS.
- MATERIAL: HOUSING-NYLON, UL94V-2 BLACK
 CONTACT-PH BRZ (PRE-TIN)
- DIMENSIONS IN BRACKETS ARE IN INCHES.
- PART IS SURFACE MOUNT COMPATIBLE.



MOUNTING PROCEDURE NTS

METRIC

UNLESS OTHERWISE SPECIFIED DIMENSIONS ARE IN INCHES. TOLERANCES ON: DECIMALS ± 0.13 [0.05] ANGLES ±		CONTRACT NO. DR P. Collins 4-11-91	AMP AMP INCORPORATED Harrisburg, Pa. 17105	
MATERIAL 3	CHK R. Dwyer 4-19-91 APPD R. Dwyer 4-19-91	NAME P.C. HEADER, RIGHT ANGLE MOUNT, COMMERCIAL MATE-N-LOK™, 4 CIRCUIT		
FINISH 3	DSGN APPD OTHER APPD	SIZE D	FSCM NO. 00779	DRAWING NO. 770846
SCALE 10:1		SHEET 1 OF 1		